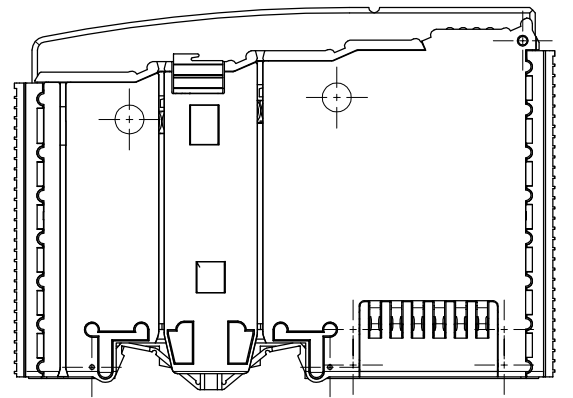
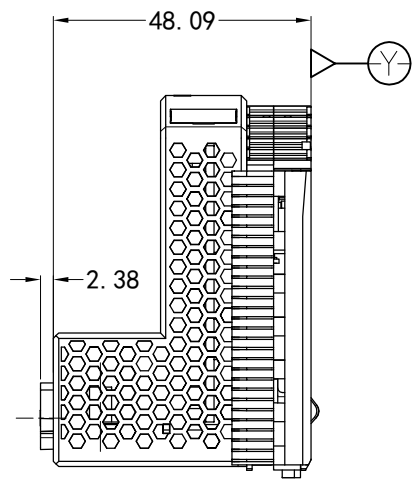
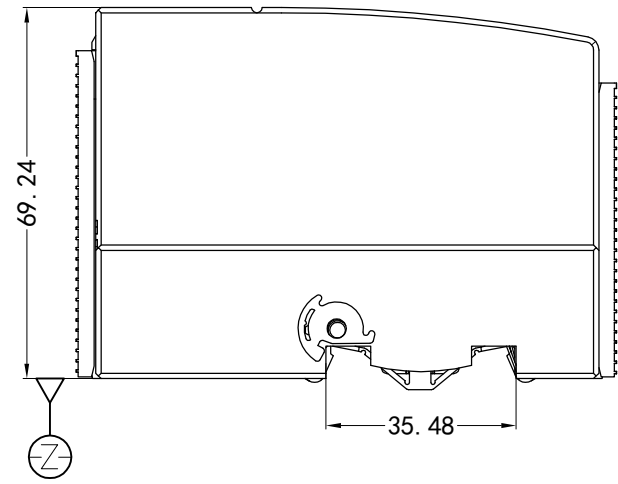
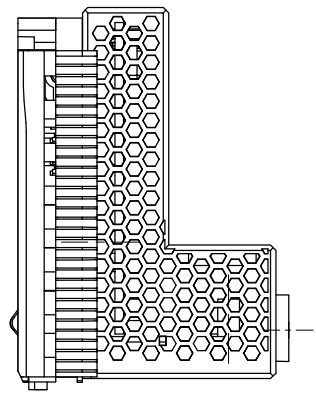
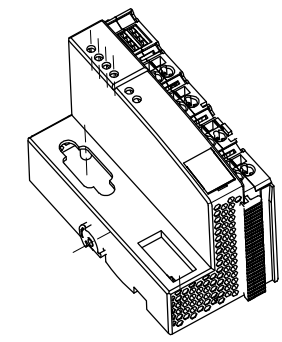
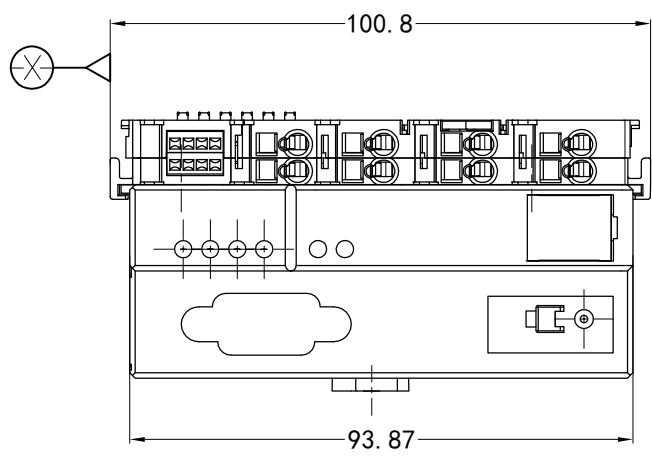


REV	2	CONTENT	1	DATE
V0.0		CONTENT	MYZ	22.10.12



Total Pitch Tolerances in mm										Nominal dimension range in mm										⊥	=	-	//	
over	over	over	over	over	over	over	over	over	over	over	over	over	over	over	over	over	over	over	over	0	over	0	over	over
0	30	53	70	90	115	150	250	350	500	0	30	53	70	90	115	150	200	250	320	10	all	0	100	150
±0.18	±0.20	±0.25	±0.3	±0.35	±0.44	±0.60	±0.70	±0.85	±0.20	±0.25	±0.30	±0.35	±0.44	±0.55	±0.70	±0.80	±0.90	0.2	0.3	0.3	0.2	0.3	0.5	

ITEM	NAME OF PART			Q'TY	MATERIAL		
DWG.	CXL	DATE	22.10.12	SIZE	A4	UNITS	mm
CHK.		DATE		SCALE	1:1		
APP.		DATE		NAME	SA-001-1B		
 <b>宁波三安电子科技有限公司</b> Sanan Electrical Technology Co. Ltd					DWGNO.	XXXX	